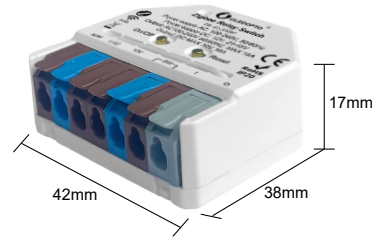




## Zigbee Relay Switch User Instruction

GL-C-310P

### Product Parameter



Product model: GL-C-310P  
Power supply AC: 100-240V, 50/60Hz  
Power supply DC: 12V±10% / 24-48V  
Max switching voltage AC: 240V  
Max switching voltage DC: 30V  
Max switching current AC: 16A  
Max switching current DC: 10A  
Communication protocol: ZigBee3.0+2.4G RF  
Material: Fireproof PC  
IP Rate: IP20  
Operating temperature: -20~45°C  
Size: 42x38x17mm

8-9mm wire preparation 0.5-1.63mm<sup>2</sup>(24-14AWG)

### Function of Button

#### On/off:

Short press: On/Off

Long press (5 seconds or more): Enable/Disable power-off memory function  
(The connected device turns on and off twice indicating activation of this function)

#### Reset:

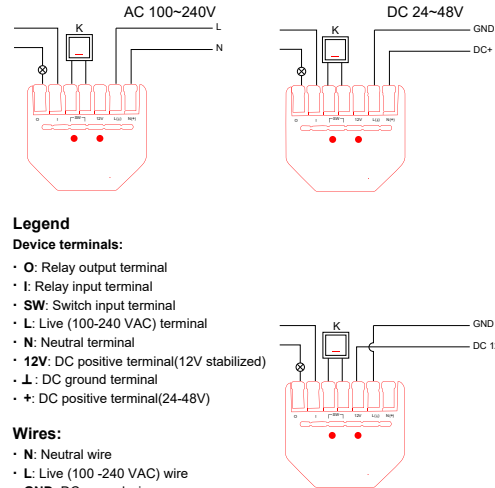
Short press: Change to connect with Push switch or Rocker switch  
Long press (5 seconds or more): Reset relay switch

### Indicator Light Status

1. Steady On: Rocker Switch
2. Flashing: Push Switch

**\*Note:** The status of the indicator light indicates the device being set for connecting Push switch or Rocker switch.

### Wiring Method



#### Legend

##### Device terminals:

- **O**: Relay output terminal
- **I**: Relay input terminal
- **SW**: Switch input terminal
- **L**: Live (100-240 VAC) terminal
- **N**: Neutral terminal
- **12V**: DC positive terminal(12V stabilized)
- **⏚**: DC ground terminal
- **+**: DC positive terminal(24-48V)

##### Wires:

- **N**: Neutral wire
- **L**: Live (100 -240 VAC) wire
- **GND**: DC ground wire
- **DC+**: DC positive wire(24-48V)
- **12V+**: Positive wire(12V stabilized)

### Connecting with the Gateway

#### Network Connection:

1. Connect the power supply to the relay correctly.
2. Use the gateway's app to start device search, you need to wait for a certain period (Please refer to the user manual of gateway). If the gateway does not find the relay, try power cycling or reset the relay.

3. Once the gateway discovers the relay, add the relay to a designated room or group.
4. Once connected to the network, you can start using the relay.



### Remote Control Pairing/Unpairing

#### Pairing Method:

- (1)Power off the relay, then power it on again after 10 seconds.

(2)Within 4 seconds of powering on, press the "On" button of any group on the RF remote control (Please refer to the user manual of remote).



(3)When the connected device turns on and off once, it indicates connecting with the remote control successfully.

#### Unpairing Method:

- (1)Power off the relay, then power it on again after 10 seconds.

(2)Within 4 seconds after powering on, press 5 times the "All ON" or "ON" button of the group with which the relay being paired.



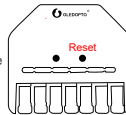
short press 5 times

(3)When the connected device turns on and off three times, it indicates disconnection from the remote control.

### Reset Method

#### 1. Button Reset:

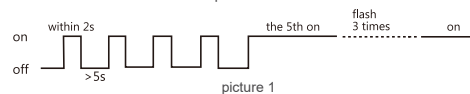
Long press the RESET button for 5 seconds; when the connected device turns on and off 5 times, it indicates that the reset is complete.



## 2. Power On/Off Reset:

As shown in picture 1:

1. Power on the relay.
2. Power off within 2 seconds.
3. Wait for more than 5 seconds to ensure it is completely powered off.
4. Repeat the above steps 5 times.
5. Then power on; when the connected device turns on and off 5 times, it indicates that the reset is complete.



## Compatible with 2.4G RF Remote Control



GL-RC-002



GL-RC-006



GL-RC-007



GL-RC-009



GL-W-003Z



Attention

1. Before turning on the power, please ensure that all connections are correct and secure, and do not operate while the power is on.
2. The product should be used under the rated voltage. Using it under excessive or insufficient voltage may damage products.
3. Do not disassemble the product, as it may cause fire and electric shock.
4. This product is a precision electronic device, do not use it in damp, high temperature, high pressure, or dusty environments.
5. Do not use the product in metal shielded areas or around strong magnetic fields, as this may severely affect the wireless signal transmission of the product.

### Disclaimers

1. Due to our continuous adoption of new technologies, product specifications may change without further notice.
2. This manual is provided for reference and guidance only and does not guarantee complete consistency with the actual product. The actual application should be based on the actual product.
3. The components and accessories described in this manual do not represent the standard configuration of the product. The specific configuration is subject to the packaging.
4. All text, tables, and images in this manual are protected by relevant national laws and may not be used without our permission.
5. This product may be compatible with third-party products (such as apps, hubs, etc.), but our company does not take responsibility for compatibility issues or partial loss of functionality caused by changing in third-party products.



LED-Trading Tobias Ebert

Schoeneicher Str. 42, Schoeneiche b. Berlin, Germany, 15566

0049 30 641 689 17 info@led-trading.de

GL-C-I-310